

## PRODUCT SHEET

# H2 Fill Controller

PO64Z-0001-00

**OVERVIEW**

The Viritech H2 Fill Controller provides an easy to integrate solution for OEMs that require SAE standard filling using IR communications at the filler nozzle. SAE J2799 compliant with support for multiple pressure vessels and additional sensors beyond SAE compliance for advanced fill control and management.

**KEY POINTS**

- SAE Compliant Hydrogen Fill Controller
- Supports Multiple Pressure Vessel Architecture
- Redundant Pressure And Temperature Inputs



Front view



Above view



Side view



View this product on our website at [www.viritech.co.uk/h2fill](http://www.viritech.co.uk/h2fill)

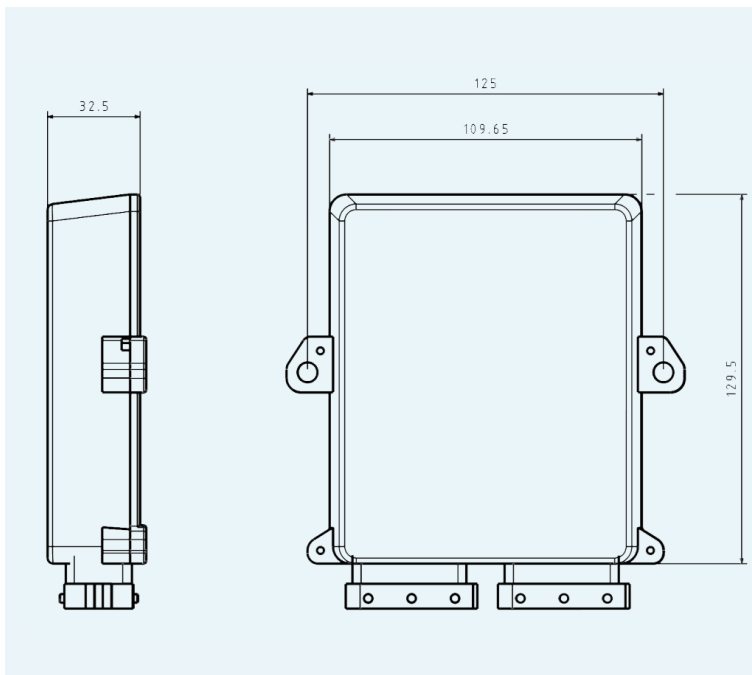
## PRODUCT DESCRIPTION

The Viritech H2 Fill Controller provides an easy to integrate solution for OEMs that require SAE standard filling using IRDA communications at the filler nozzle. SAE J2799 compliant with support for multiple pressure vessels and additional sensors beyond SAE compliance for advanced fill control and management. The controller is built for ASIL B compliance with ultimate ASIL compliance a function of the IRDA transmitter/receiver.

An IRDA compliant IR receiver is available as an option to allow IR comms to be easily integrated into the vehicle filler.

Standard B Sample controller fulfils all SAE J2799 requirements and provides support for USB communications allowing fill to be implemented quickly whilst bespoke code levels can be produced to support specific vehicle functionality, CAN-BUS specifications etc.

## TECHNICAL DRAWING



## Technical Information

SAE Standard	J2799
Filler Communication	External IR/IRDA
Temp Sensor Inputs	20 X NTC
Pressure Sensor Inputs	2 X Analogue
Check Valve Drivers	2 X
Unit Connector	2 X 24 Way Delphi Sicma
Mating Connector Available	Yes
Configuration Comms	B-Sample - USB
OEM Branding Available	Yes
OEM Part Numbering	Yes
Vehicle Communications	CANBus
Local Market Manufacturing Option	Yes
ASIL Compliance	ASIL B
IP Rating	IP67
Available Volumes	1 to 000's
Length Excluding Connector	130 MM
Width Between Mountings	125 MM
Height	32.5 MM
Weight	440 Grams

## PRODUCT ORDERING

Please contact [sales@viritech.co.uk](mailto:sales@viritech.co.uk) to discuss your system and vehicle integration requirements for this product.