

PRODUCT SHEET

BMS Controller

P061Z-0001-00
OVERVIEW

The Viritech BMS Controller is an ASIL capable controller which forms the control and management element of the Viritech battery management system. Able to address up to 64 module level units allowing for up to 768 distinct voltage measurements at over 250hz sample rate with advanced SoX strategies for the monitoring of battery charge, health, power and energy the controller is optimised for fast charge / fast discharge battery systems in FCEV, BEV and Hybrid vehicles.

KEY POINTS

- Sample rate of >250 Hz.
- Supports up to 768 voltage & 512 temperature measurements.
- Optimised for fast charge / discharge battery systems.
- ASIL capable hardware.



Front view



Top view



Side view



View this product on our website at www.viritech.co.uk/bms

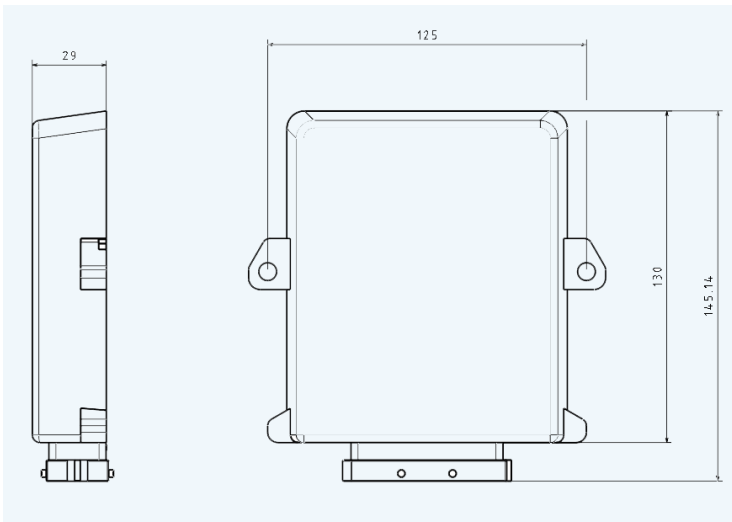
PRODUCT DESCRIPTION

The Viritech BMS Controller is the control and management element of the Viritech battery management system. Able to address up to 64 module level units allowing for up to 768 distinct voltage measurements at over 250Hz sample rate with advanced SoX strategies for the monitoring of battery charge, health, power and energy the controller is optimised for fast charge / fast discharge battery systems in FCEV, BEV and Hybrid vehicles.

The BMS Controller interfaces with the module level unit via a proprietary communications protocol which delivers a durable and high bandwidth connection to each module level unit. The combination of BMS controller and module level units provides a highly configurable BMS solution where the number of voltage and temperature measurements can be optimised for the specific size of battery system required in the application.

Viritech's Battery Management System is ASIL capable on a per application basis and is supplied in low volume without ASIL rating for prototype and development vehicle use.

TECHNICAL DRAWING



Technical Information

Module Level Units Supported	Up to 64
Temp Sensor Measurements	Max 512
Voltage Measurements	Max 768
Sampling Rate	>250 Hz
Balancing Current	1 Amp Via Module Level Unit
Supported Cell Chemistries	Multiple: NMC, LFP, LTO etc.
Unit Connector	1 X 39 Way
SoX Algorithms	Charge, Health, Power, Energy
Mating Connector Available	Yes
Configuration Comms	B-Sample - USB
OEM Branding Available	Yes
OEM Part Numbering	Yes
Vehicle Communications	CANBus
Local Market Manufacturing Option	Yes
ASIL Compliance	ASIL D In Volume
IP Rating	IP67
Available Volumes	1 to 000's
Length Excluding Connector	145 MM
Width Between Mountings	125 MM
Height	35 MM

PRODUCT ORDERING

Please contact sales@viritech.co.uk to discuss your system and vehicle integration requirements for this product.