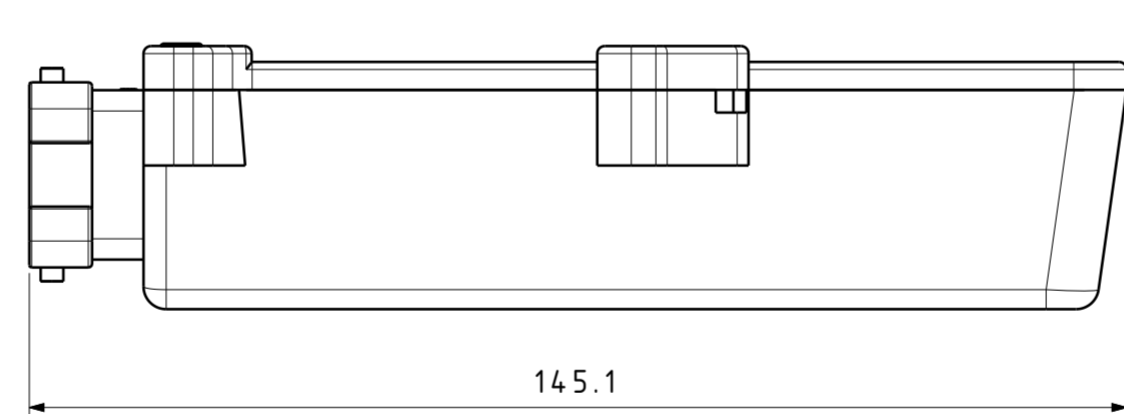
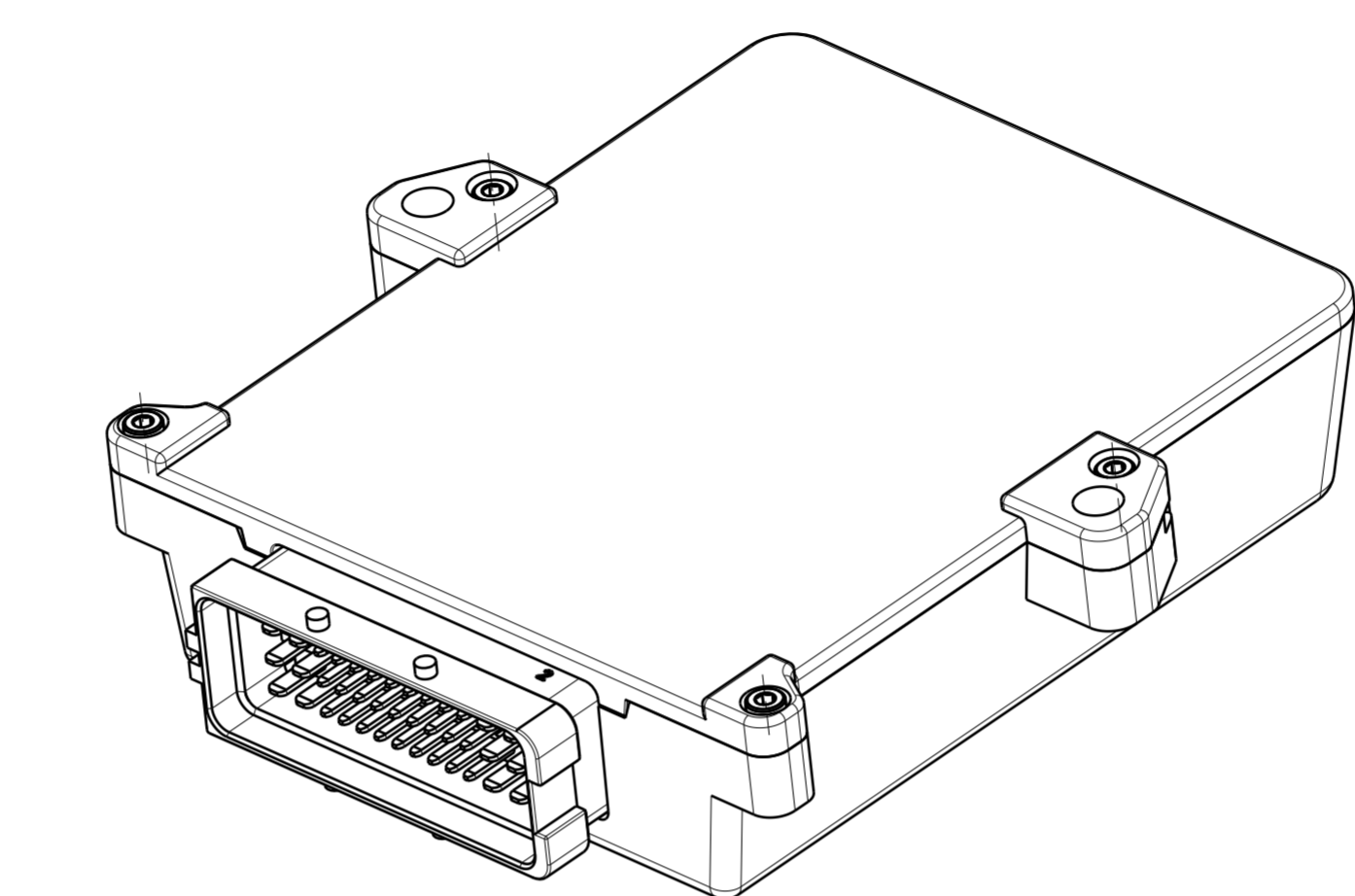
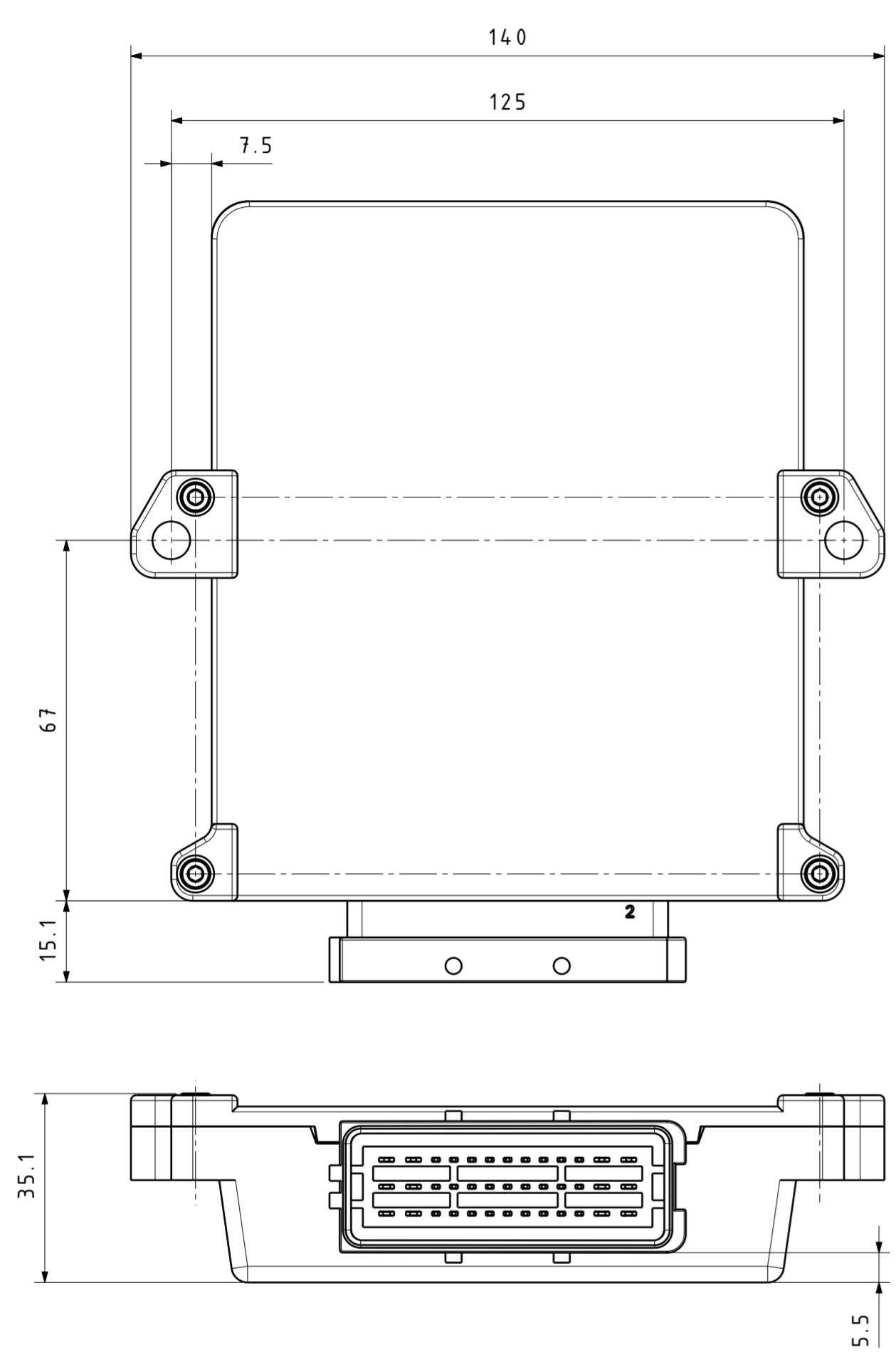


1 2 3 4 5 6 7 8 9 10 11

A B C D E F G H



PIN NUMBER	DESCRIPTION	RANGE
A1	USB D-	
A2	ANALOGUE 3	0-5V
A3	USB D+	
A4	DIGITAL INPUT	0-5V
A5	5V SENSOR OUTPUT	
A6	NC	
A7	NC	
A8	NC	
A9	NC	
A10	NC	
A11	NC	
A12	USB 5V INPUT	
A13	ANALOGUE 4	0-5V
B1	ANALOGUE 2	0-5V
B2	LOWSIDE OUTPUT	8Amps
B3	DIGITAL INPUT	0-5V
B4	VBATT IN	6-60V
B5	VBATT IN	6-60V
B6	VBATT IN	6-60V
B7	NC	
B8	NC	
B9	GROUND	
B10	GROUND	
B11	GROUND	
B12	ANALOGUE 1	0-5V
B13	DIGITAL INPUT	0-5V
C1	CELL COMMS RX2 NEG	0-5V
C2	CELL COMMS RX2 POS	0-5V
C3	LOWSIDE OUTPUT	8Amps
C4	CELL COMMS TX2 NEG	0-5V
C5	CELL COMMS TX2 POS	0-5V
C6	GROUND	
C7	CELL COMMS TX1 POS	0-5V
C8	CELL COMMS TX1 NEG	0-5V
C9	CAN 2.0B L	
C10	CELL COMMS RX1 POS	0-5V
C11	CELL COMMS RX1 NEG	0-5V
C12	CAN 2.0B H	
C13	LOWSIDE OUTPUT	1Amp

ISSUE	DRAWING MODIFICATION	ECN No.	ZONE	DWRN	CHKD	APPR	APPR DATE
A	FIRST RELEASE		-	PVK	TC	CH	23/01/2024

DIMENSIONS IN mm UNLESS OTHERWISE STATED △ DENOTES SIGNIFICANT & CRITICAL CHARACTERISTICS GEOMETRICAL DIMENSIONING & TOLERANCING TO ISO 2768 mK BREAK OUT SHARP EDGES PART TO BE FREE FROM BURRS REFER TO 3D MODEL FOR ANY MISSING DIMENSIONS DO NOT SCALE, IF IN DOUBT ASK CAD DRAWING - DO NOT MODIFY BY HAND				PROTECTIVE TREATMENT 1 -	MATERIAL VARIOUS
SIZE A2	CRITICALITY 1	DESCRIPTION CUSTOMER DRAWING ASSY CONTROL BOARD-BMS		PROTECTIVE TREATMENT 2 -	SURFACE FINISH -
SCALE 1:1	MASS (EST.) -	SHEET NUMBER 1 of 1		NDT 001	PART NUMBER P061Z-0001-00
THIS DRAWING AND ANY INFORMATION CONTAINED WITHIN THIS DOCUMENT ARE CONFIDENTIAL AND THE EXCLUSIVE PROPERTY OF VIRITECH LTD. THEY ARE SUPPLIED ON THE EXPRESS CONDITION THAT THEY SHALL NOT BE LENT, REPRODUCED IN WHOLE OR IN PART OR DISCLOSED TO ANY OTHER PERSON OR USED FOR ANY OTHER PURPOSE WITHOUT THE PRIOR WRITTEN CONSENT OF VIRITECH LTD.					ISSUE A

1 2 3 4 5 6 7 8 9 10 11